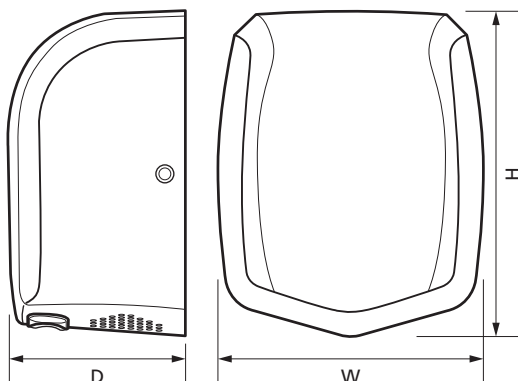


0.8kW Energy Efficient Automatic Smart Hand Dryer Stainless Steel

Product Ref: **TEMPESTA PLUS**

Technical Features:

- Offers longevity and additional energy saving benefits due to its low power consumption
- Boasts the latest micro-smart processor for real time thermal monitoring, enabling automatic air flow heat adjustments
- Stainless steel construction. DC brushless motor
- Automatic operation with Smart chip control to interact with ambient temperature. Sound level: 70dB
- Air speed: 85m/s | Air flow: 75m³/hr
- Drying time: <10 seconds



Product Specification

Airflow Cubic Meters pHr	75
Airflow Litres per Second	21
Air Speed	85m/s
Automatic	Yes
Class	Class 1
Colour	Silver
Compliance	UKCA, CE, RoHS
Current Rating	3.75A - Max
Decibel Rating	70dB[A] @ 1m
Drying Time	10s
Finish	Brushed
Frequency	50Hz
Guarantee	4 Years
IP Rating	IP22
Material	Stainless Steel
Mounting	Wall
Standards	EN 60335-1:2012, EN 60335-2-30:2009+A11
Suitable for	Offices, Washrooms, Leisure Complexes, Service Station
Type	Intelligent
Vandal Resistant	Yes
Voltage Rating	230V
Wattage	800W
Weight	3.310kg
Depth	154mm
Height	278mm
Width	228mm

Errors and omissions excepted (E&OE). All information is subject to change without notice and is correct at the time of print. Refer to issue number and date below.

Tel: +44 (0)1302 765 563 • levante-products.com • [@Levanteinfo](https://twitter.com/Levanteinfo)