

0.9kW Energy Efficient Automatic Hand Dryer Stainless Steel

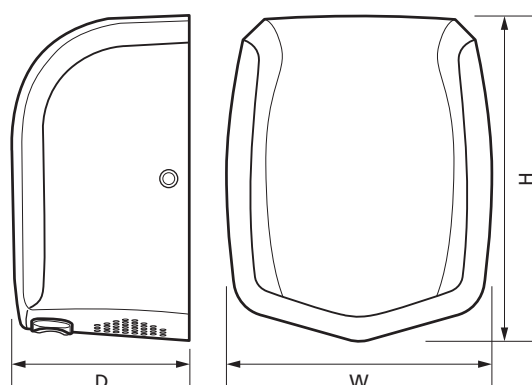
Product Ref: **TEMPESTA**

Technical Features:

- Internal dual wattage switch, adjustable between 900W warm dry and 600W cool dry for increased energy efficiency
- Stainless steel construction
- Carbon brush motor
- Automatic operation
- Sound level: 80dB
- Air speed: 105m/s
- Air flow: 89m³/hr
- Drying time: 10 seconds

Product Specification

Airflow Cubic Meters pHr	89
Airflow Litres per Second	25
Air Speed	105m/s
Automatic	Yes
Class	Class 1
Colour	Silver
Compliance	UKCA, CE, RoHS
Current Rating	3.75A - Hot Blow 2.5A - Cold Blow
Decibel Rating	80dB(A) @ 1m
Drying Time	10s
Finish	Polished
Frequency	50Hz
Guarantee	2 Years
IP Rating	IP22
Material	Stainless Steel
Mounting	Wall
Number of Settings	2
Standards	EN 60335-1:2012, EN 60335-2-30:2009+A11
Suitable for	Offices, Washrooms, Leisure Complexes, Service Station
Vandal Resistant	Yes
Voltage Rating	230V
Wattage	0.9 kW - Hot Blow 0.6 kW - Cold Blow
Weight	3.810kg
Depth	159mm
Height	300mm
Width	250mm



Errors and omissions excepted (E&OE). All information is subject to change without notice and is correct at the time of print. Refer to issue number and date below.

Tel: +44 (0)1302 765 563 • levante-products.com • [@Levanteinfo](https://twitter.com/Levanteinfo)