







Data Sheet | Model: **Armorgard**

TrekDror™ Divider TKD3D



-  The TrekDror dividers slots into the drawer to create partitions as required
-  Fits the TKD3
-  Each pack contains 3 dividers which can be placed in 8 different positions giving you plenty of options for organising your tools.
-  Made from powder-coated steel to match your slider, they are robust and perfectly suited to the job.

Product	Armorgard TrekDror™ Divider TKD3D
Internal dimensions	N/A
External dimensions (including protrusions)	435x3x400mm
Weight (kg)	3
Colour	Charcoal grey: RAL7021
Finished Coating	Powder coated
Material	Steel
Material Thickness	1mm
Locking mechanism	N/A
Does it have Forklift Skids?	No
Does it have Gas Arms?	No
Newton Loading of Gas Arms	N/A
Safety stay	No
Quantity of keys supplied	N/A
Optional Extras Available	TrekDror
Quantity of Shelves as standard	None
Are Castors standard or optional extra	N/A
How are the Castors fitted?	N/A
Sump capacity	N/A
Safety Signage	N/A
Fire resistant?	N/A





Armorgard TrekDror™ TKD2D

- The TrekDror dividers slots into the drawer to create partitions as required.
- Fits the TKD2.
- Each pack contains 3 dividers which can be placed in 8 different positions giving you plenty of options for organising your tools.
- Made from powder-coated steel to match your slider, they are robust and perfectly suited to the job.



Product	Armorgard TrekDror™ TKD2D
Internal dimensions	N/A
External dimensions (including protrusions)	925x3x110mm
Weight	1kg
Colour	Black Grey: RAL 7021
Finished coating	Powder coated steel
Material	Steel
Material thickness	1mm
Locking mechanism	N/A
Does it have forklift skids?	No
Does it have gas arms?	No
Newton loading of gas arms	N/A
Safety stay	N/A
Quantity of keys supplied	N/A
Optional extras available	TrekDror
Quantity of shelves as standard	N/A
Are castors standard or optional extra	N/A
How are the castors fitted?	N/A
Sump capacity	N/A
Safety signage	N/A
Fire resistant?	N/A





Data Sheet | Model: **Armorgard**

TrekDror™ Divider TKD1D



- ⚠ The TrekDror dividers slots into the drawer to create partitions as required
- ⚠ Fits the TKD1
- ⚠ Each pack contains 3 dividers which can be placed in 8 different positions giving you plenty of options for organising your tools.
- ⚠ Made from powder-coated steel to match your slider, they are robust and perfectly suited to the job.

Product	Armorgard TrekDror™ Divider TKD1D
Internal dimensions	N/A
External dimensions (including protrusions)	435x3x240mm
Weight (kg)	3
Colour	Charcoal grey: RAL7021
Finished Coating	Powder coated
Material	Steel
Material Thickness	1mm
Locking mechanism	N/A
Does it have Forklift Skids?	No
Does it have Gas Arms?	No
Newton Loading of Gas Arms	N/A
Safety stay	No
Quantity of keys supplied	N/A
Optional Extras Available	TrekDror
Quantity of Shelves as standard	None
Are Castors standard or optional extra	N/A
How are the Castors fitted?	N/A
Sump capacity	N/A
Safety Signage	N/A
Fire resistant?	N/A





Barcode: 5060452082257

trekdror™

Product code: TKD3

- » Robust steel tool drawers for vehicles and small spaces.
- » It's lightweight, stackable design is perfect for maximising on space.
- » Drawer extends out almost 80% of its depth and is easily removable.



Watch the Trekdor in action

Product features



2x 5-lever deadlock



Stackable



No detachable parts



Suitable for vehicles



120kg UDL per drawer

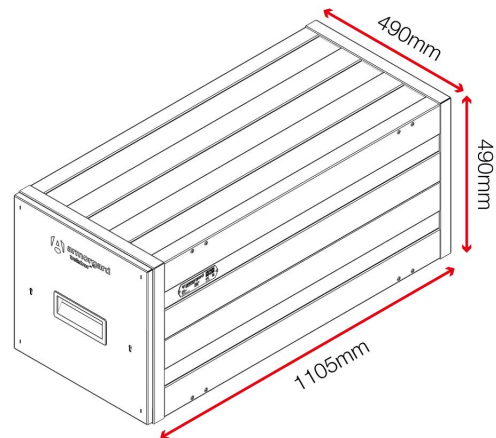


1000kg UDL on top

Product specifications

Weight	58kg
Colour	Black grey: RAL 7021, Traffic red: RAL 3020
Suitable for	Vehicle
Finished coating	Powder coated
Material & thickness	1.5 steel
Quantity of keys	3 keys
Suitable for vehicle mounting	Yes
How are castors fitted?	Not applicable
Other sizes available	2 other sizes
Qty of shelves as standard	No

Dimensions



Optional extras - Contact Armorgard to find out more



Dividers TKD3D



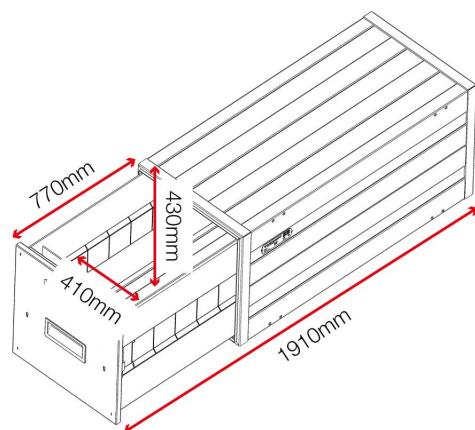
Rubber mat TKD13-RM

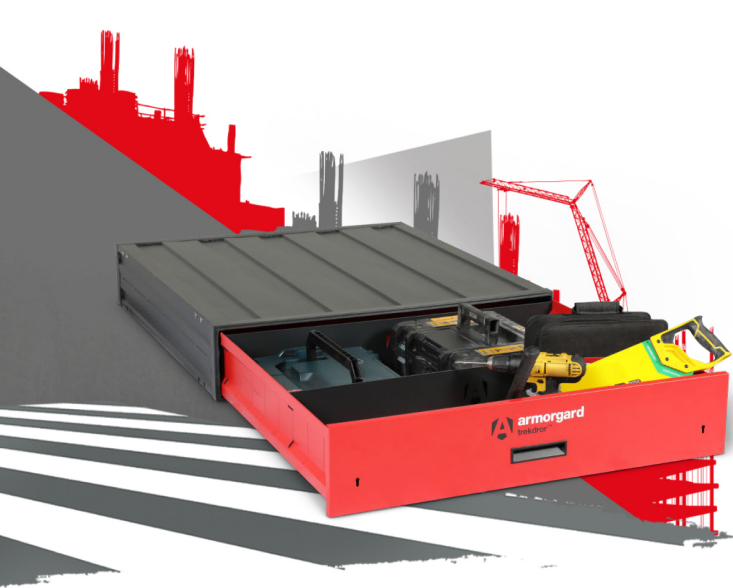


Mounting kit TKDMPK



Stacking kit TKDSPK





Barcode: 5060452082240

trekdror™

Product code: TKD2

- » Robust steel tool drawers for vehicles and small spaces.
- » It's lightweight, stackable design is perfect for maximising on space.
- » Drawer extends out almost 80% of its depth and is easily removable.



Watch the Trekdor in action

Product features



2x 5-lever
deadlock



Stackable



No detachable
parts



Suitable for
vehicles



120kg
UDL per drawer

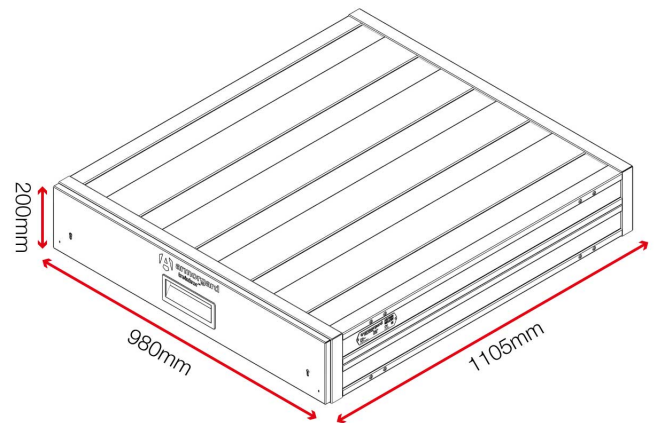


120kg
UDL on top

Product specifications

Weight	62kg
Colour	Black grey: RAL 7021, Traffic red: RAL 3020
Suitable for	Vehicle
Finished coating	Powder coated
Material & thickness	1.5 steel
Quantity of keys	3 keys
Suitable for vehicle mounting	Yes
How are castors fitted?	Not applicable
Other sizes available	2 other sizes
Qty of shelves as standard	No

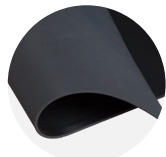
Dimensions



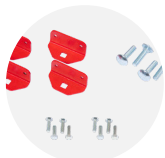
Optional extras - Contact Armorgard to find out more



Dividers TKD2D



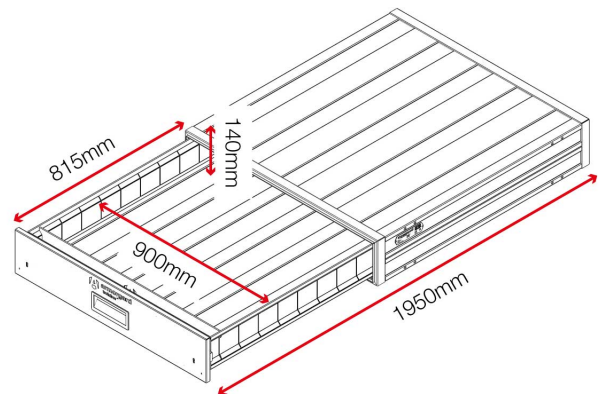
Rubber mat TKD2-RM



Mounting kit TKDMPK



Stacking kit TKDSPK





Barcode: 5060452082233

trekdror™

Product code: TKD1

- » Robust steel tool drawers for vehicles and small spaces.
- » It's lightweight, stackable design is perfect for maximising on space.
- » Drawer extends out almost 80% of its depth and is easily removable.



Watch the TrekDror in action

Product features



2x 5-lever deadlock



Stackable



No detachable parts



Suitable for vehicles



120kg UDL per drawer

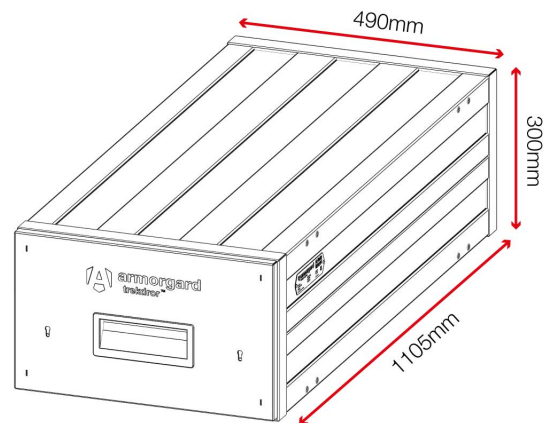


1000kg UDL on top

Product specifications

Weight	44kg
Colour	Black grey: RAL 7021, Traffic red: RAL 3020
Suitable for	Vehicle
Finished coating	Powder coated
Material & thickness	1.5 steel
Quantity of keys	3 keys
Suitable for vehicle mounting	Yes
How are castors fitted?	Not applicable
Other sizes available	2 other sizes
Qty of shelves as standard	No

Dimensions



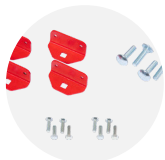
Optional extras - Contact Armorgard to find out more



Dividers TKD1D



Rubber mat TKD13-RM



Mounting kit TKDMPK



Stacking kit TKDSPK

